

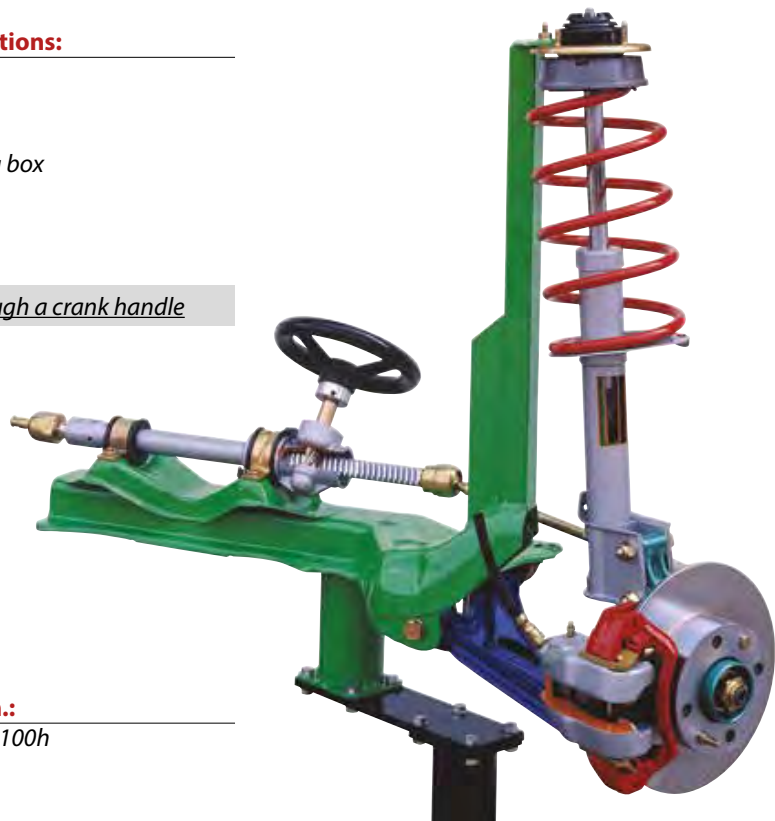
VB 11210

VB 11210M STEERING UNIT WITH McPHERSON SUSPENSIONS (on stand with wheels) - manual

Main technical specifications:

- McPherson suspension
- Shock absorber
- Spring
- Rack and pinion steering box
- Disc brake
- Steering wheel

Operated manually through a crank handle



Approx. weight and dim.:

Cm: 100x60x100h
Net Weight: kg 40
Gross Weight: kg 65

VB 11220

VB 11220M STEERING UNIT WITH McPHERSON SUSPENSIONS AND BRAKES (on stand with wheels) - manual

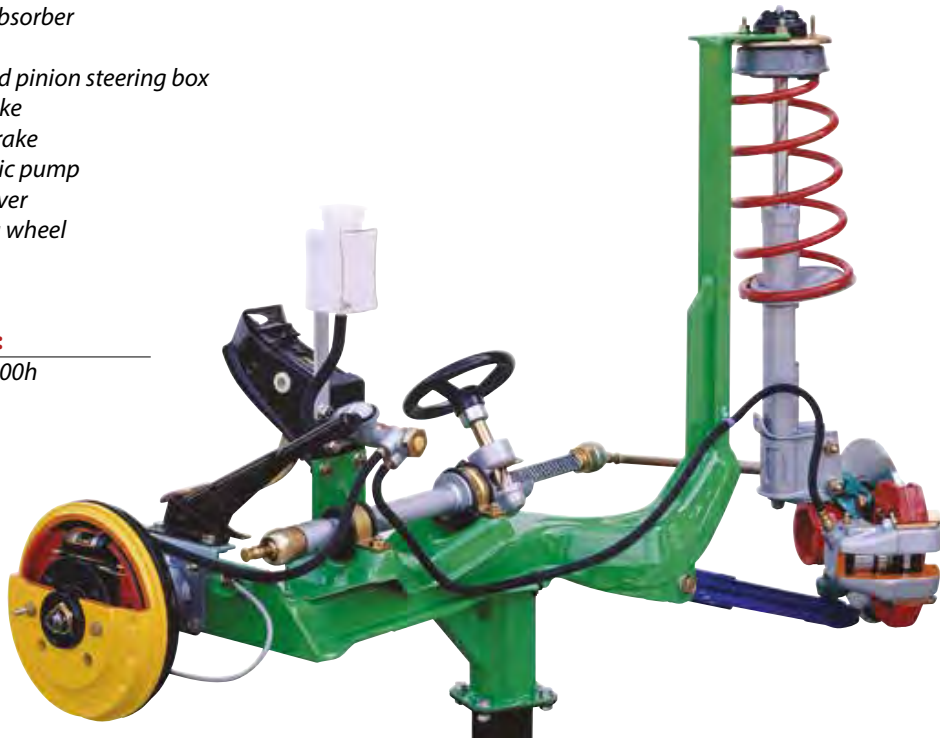
Main technical specifications:

- McPherson suspension
- Shock absorber
- Spring
- Rack and pinion steering box
- Disc brake
- Drum brake
- Hydraulic pump
- Brake lever
- Steering wheel

Operated manually through a crank handle

Approx. weight and dim.:

Cm: 120x60x100h
Net Weight: kg 50
Gross Weight: kg 75



*These cutaway models are carefully sectioned for training purposes, professionally painted with different colours to better differentiate the various parts.
Many parts have been chromium, plated and galvanized for a longer life.*

Indicative picture for reference only