

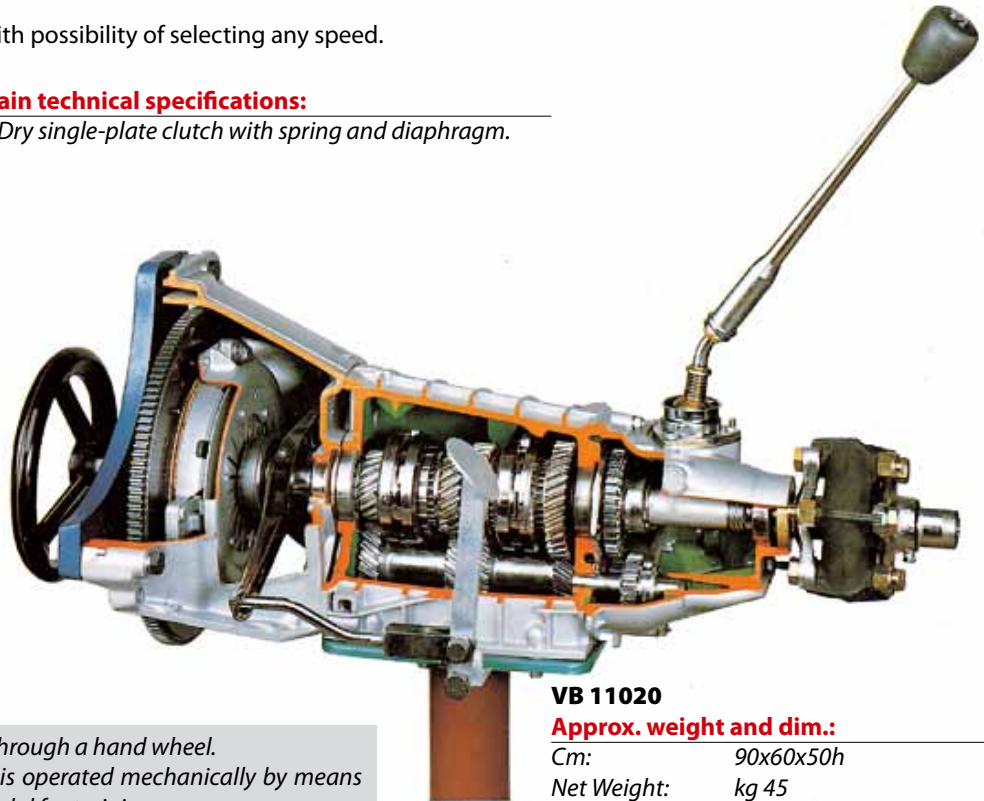
VB 11020

VB 11020 GEARBOX WITH CLUTCH 4 FORWARD SPEED + REVERSE (on stand with wheels) - manual

With possibility of selecting any speed.

Main technical specifications:

- Dry single-plate clutch with spring and diaphragm.



Operated through a hand wheel.
The clutch is operated mechanically by means
of a foot pedal for training purposes.

VB 11020

Approx. weight and dim.:

Cm: 90x60x50h

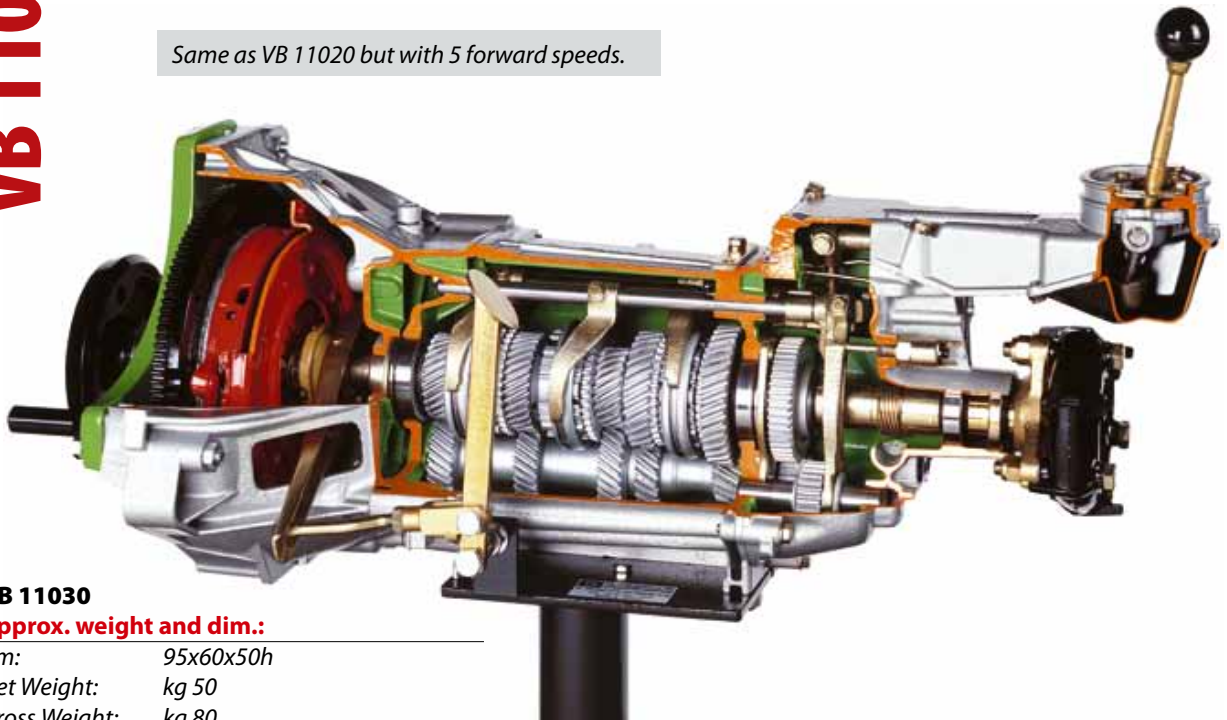
Net Weight: kg 45

Gross Weight: kg 65

VB 11030

VB 11030 GEARBOX WITH CLUTCH 5 FORWARD SPEEDS + REVERSE (on stand with wheels) - manual

Same as VB 11020 but with 5 forward speeds.



VB 11030

Approx. weight and dim.:

Cm: 95x60x50h

Net Weight: kg 50

Gross Weight: kg 80

These cutaway models are carefully sectioned for training purposes, professionally painted with different colours to better differentiate the various parts.
Many parts have been chromium, plated and galvanized for a longer life.